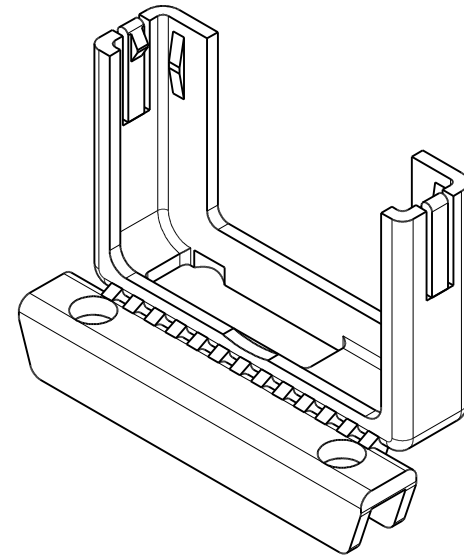
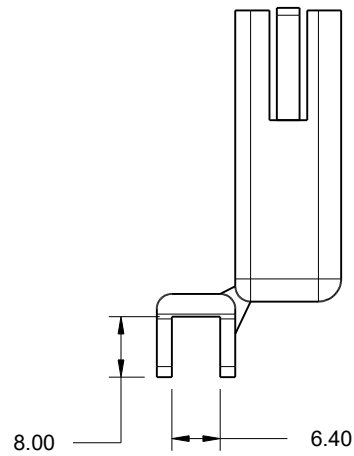
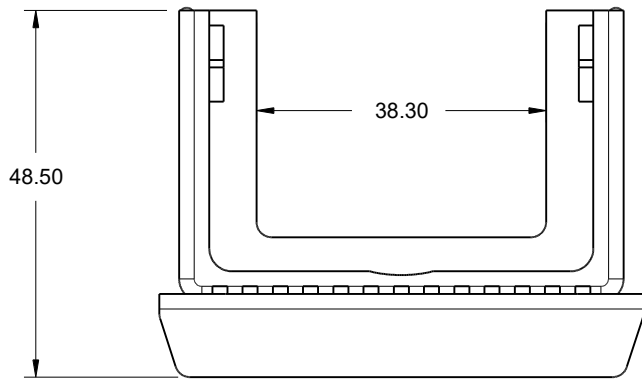
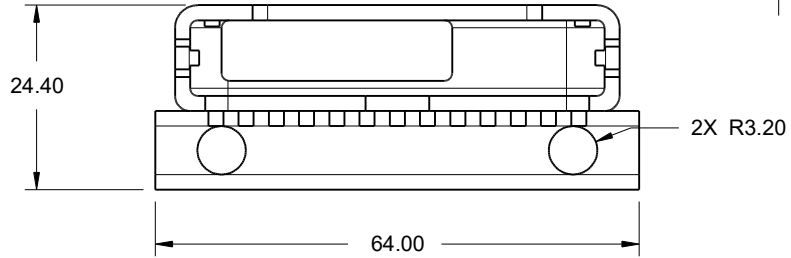




REVISIONS

ZONE	REV	DESCRIPTION	DATE	APPROVED
------	-----	-------------	------	----------



Notes:

- 1. Refer to CAD file for dimensions
- 2. CAD File: "iPadPro-2ndGenMount.AD_ASM"
- 2. Part 3D photo printed

Millimeters	DRAWN Dashner	DATE 10-30-2019	iPadPro 2nd Gen to HMN mount			
	CHECKED					
	QA					
	MFG		SIZE A	FSCM NO.	DWG NO.	REV
	APPROVED		SCALE 1:1		SHEET 1 OF 1	

